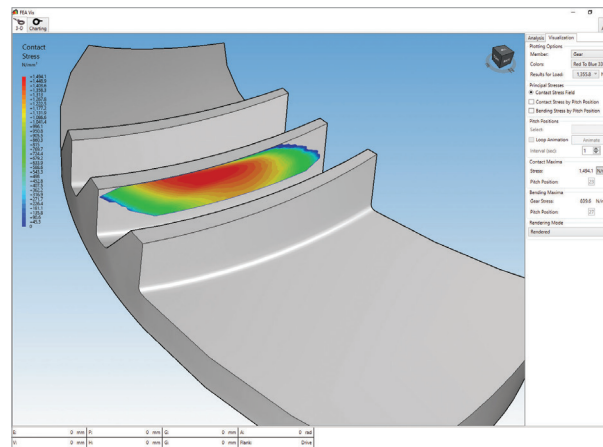
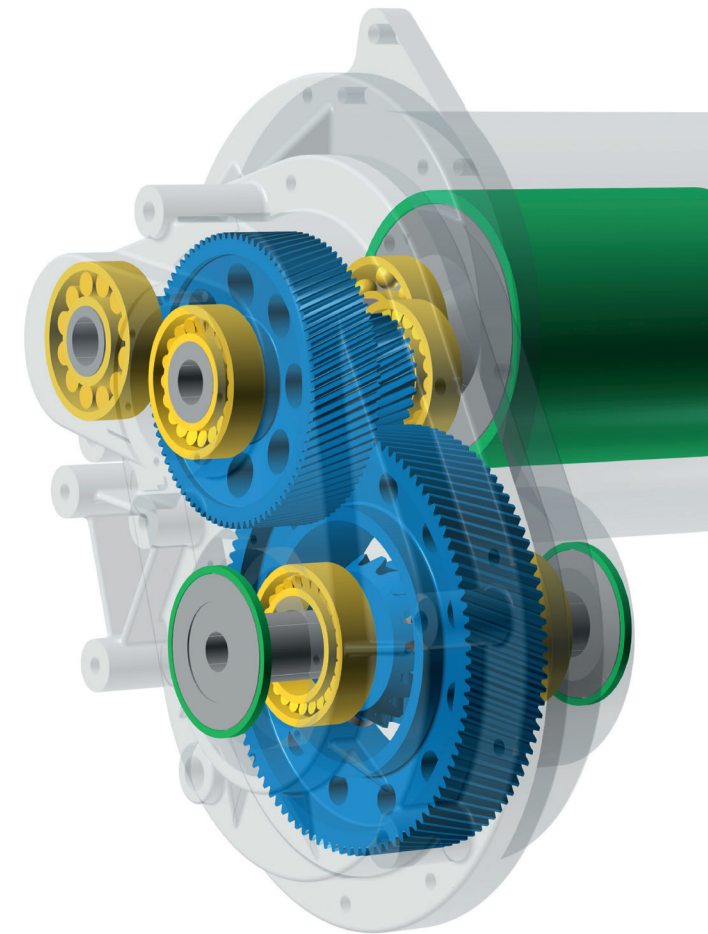


KISSsoft is the world's preferred professional gear design software.

- For cylindrical, planetary, rack, bevel, hypoid, beveloid, worm, face, noncircular, crossed axis and asymmetrical gears.
- Shaft bearing systems, bearing load distribution and stresses, shaft vibration.
- System modelling and analysis considering kinematics, load spectrum, housing and spatial arrangement.
- Scripting language to control routine calculations, COM interface.
- Interfaces to CAD, FEM, CAE and MBS software.
- Gear data export as 2D, 3D, text, x/y and GDE format.



KISSsoft® interfaces to
GEMS® and GAMAT™ software.



KISSsoft is a modular CAE software for sizing, optimization, and analyzing machine elements in line with international standards, recognized engineering formulae and numerical methods.

KISSsoft performs strength, life, reliability and load distribution calculations quickly and accurately, providing detailed documentation, graphics, and models.

Design optimization uses criteria such as component mass, life, vibration, power density, efficiency, etc., making KISSsoft the ideal tool for all of gear industries.

Meet us on:



kisssoft.com



LinkedIn

