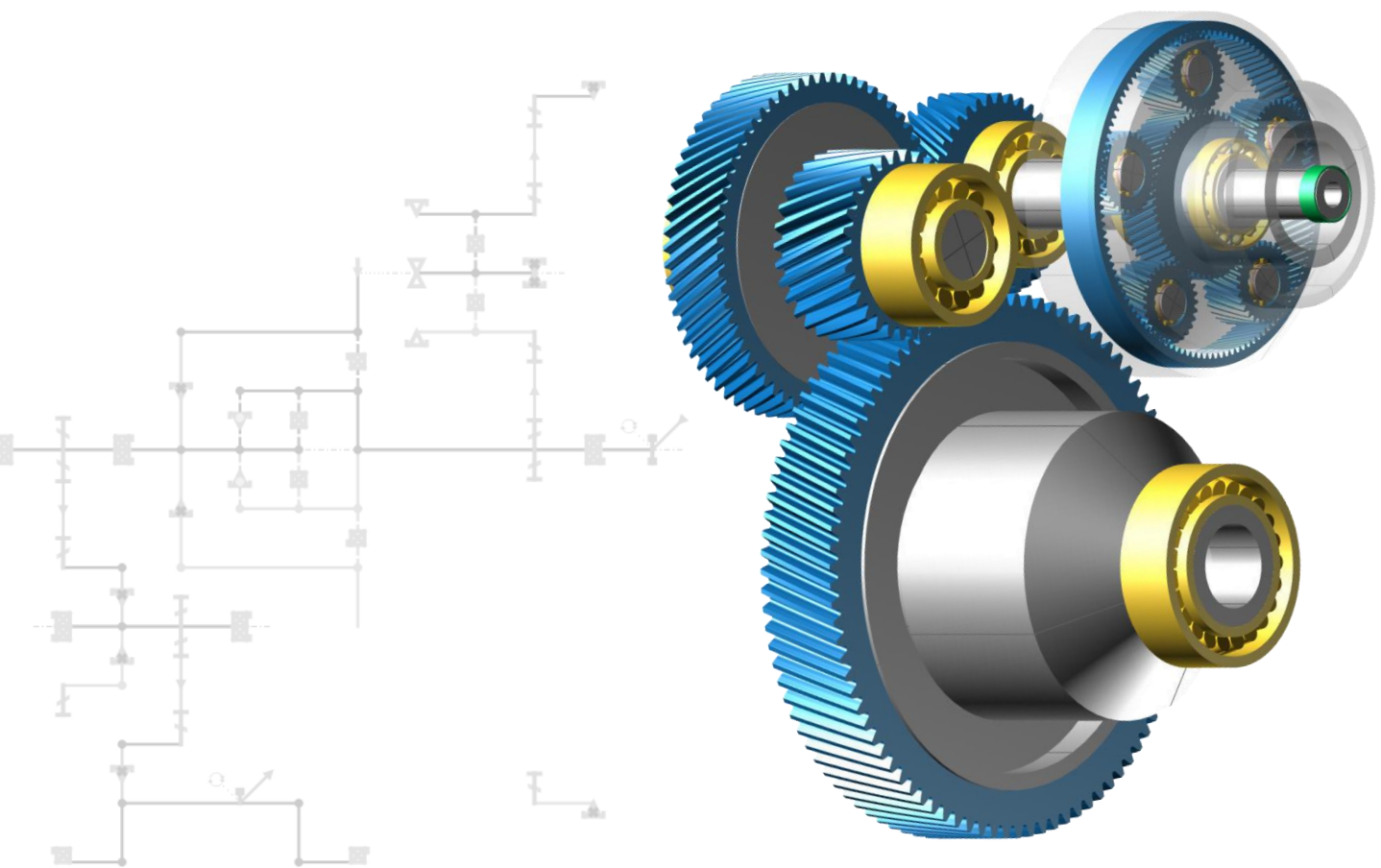


# KISSsoft Training

KISSsoft System Module:  
User Interface, General Settings, Model Setup

2 Live Stream Sessions



## Session 1: KISSsoft System Module Interface

- Interface presentation
- User specific settings
- Sketcher, modeling assistant
- KISSsoft® System Module interaction
- System data
- Tree structure
- Groups

## Session 2: KISSsoft System Module Handling

- Control panel
- Kinematics (power split, epicyclics, switching matrix, operating modes)
- 3D viewer, positioning
- Ratios, system sizing
- Definition of variants
- Exercises

