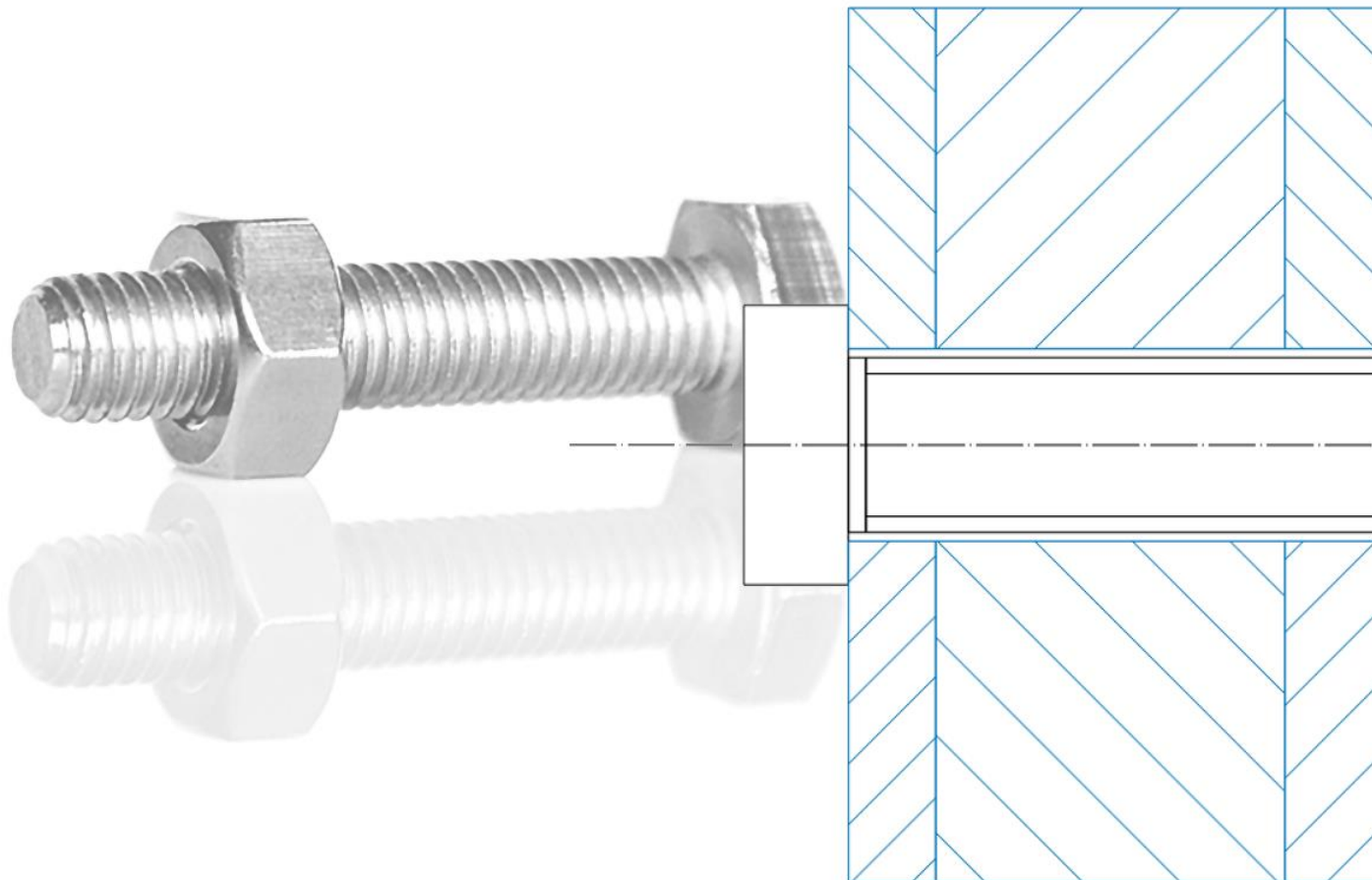


## Special Training

Bolt Calculation according to VDI 2230

2 Live Stream Sessions



# Bolt Calculation

The main subject of this special training is the application of KISSsoft® for bolt calculation according to the VDI 2230 guideline. This guideline represents a frequently used method for the verification of different criteria such as static and dynamic strength or safety against gliding.

In the training, the theory of VDI 2230 (mainly part 1, partially part 2) is introduced to enable the participants to understand the necessary terms and correlations. On KISSsoft side, various connection configurations such as single bolts under longitudinal and lateral force or flange connections are considered. The database with its possibilities to enter own bolts and materials is shown. Exercises are carried out to get acquainted with the sequence of the calculation process.

The training is suitable for beginners and advanced KISSsoft users. No previous knowledge of KISSsoft is required. Between the sessions participants need approximately 2h for independent work on exercises.

## General Training Scope

- General Settings
- Maintenance of the database (materials, bolt geometry)
- Settings and adaptations for calculation reports

## Theory Bolt Calculation

- VDI 2230 (part 1, partially part 2)

## Bolt Calculation with KISSsoft

- Bolt connection under axial and shear load
- Flange connection with torque and forces
- Multi-bolt connection with arbitrary bolt position (part 2)
- Bolt calculation based on FE results

